

# 806 14 P2 VI



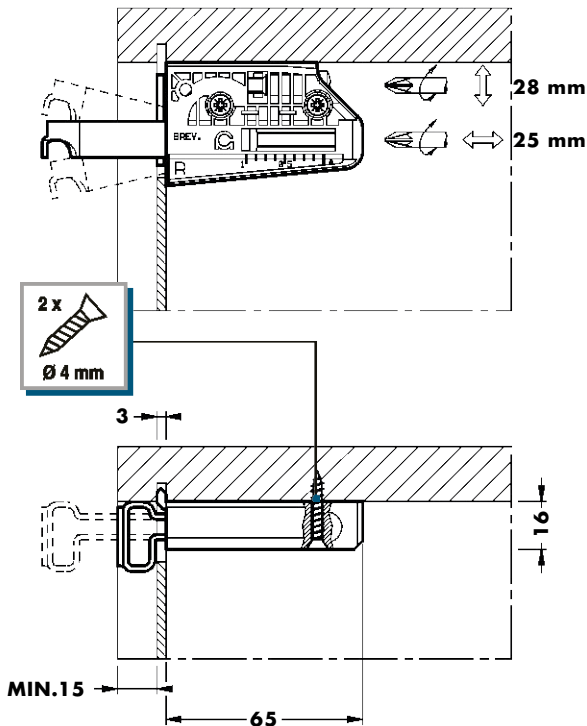
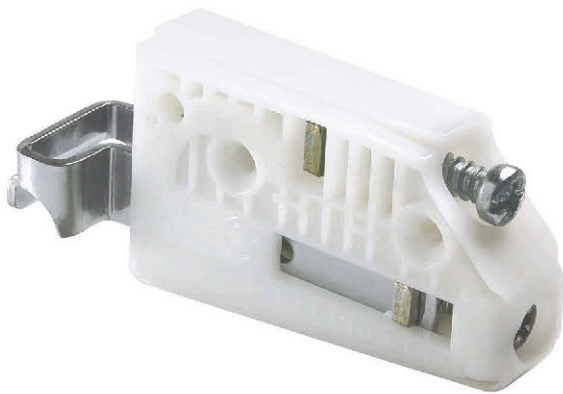
DX  
SX



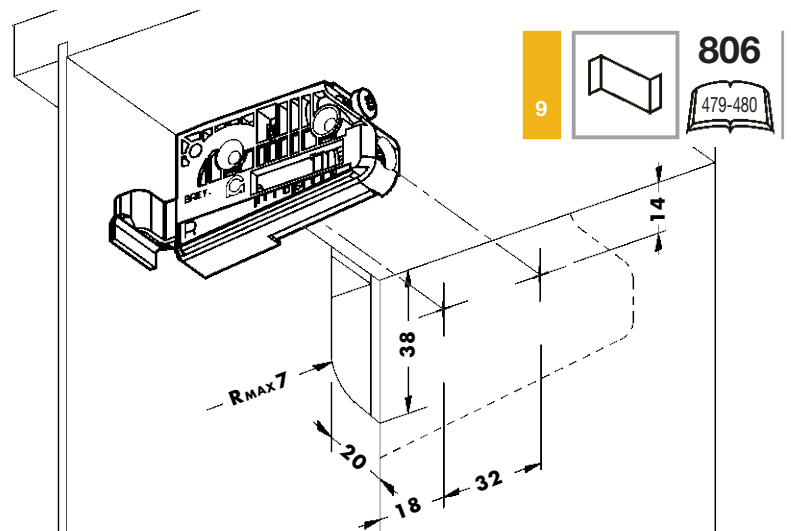
			532-533 <a href="http://www.camar.it/warning">www.camar.it/warning</a>
--	--	--	---

25 mm	28 mm		ABS	Fe
-------	-------	--	-----	----

200	6000	1200
-----	------	------



9		<b>870</b> 506	<b>873</b> 507	<b>874</b> 507	<b>875</b> 508-510
	<b>880</b> 514	<b>890 AC 00 60 LS</b> 517	<b>890 AC 01 00 LS</b> 518	<b>890 AC 01 20 LS</b> 519	<b>890 AC 01 40 LS</b> 519



9		<b>806</b> 479-480
---	--	-----------------------